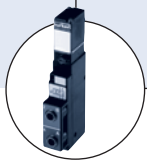


Double pilot controlled check valve for realisation of the 5/3-way function with all parts blocked

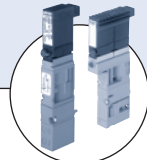
- Compact design
- for single valve or valve unit
- fast reaction times
- high degree of tightness throughout service life
- with manual override

Type 0498 can be combined with...



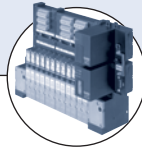
Type 5470

Solenoid valve



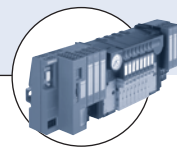
Type 6524

Tilting solenoid valve



Type 8640

Valve unit



Type 8644

Valve unit

Two check valves are integrated in Type 0498. If this double pilot controlled check valve is combined with two 3/2-way valves, a 5/3-way function with all parts blocked (circuit function L) can then be released.

Technical data

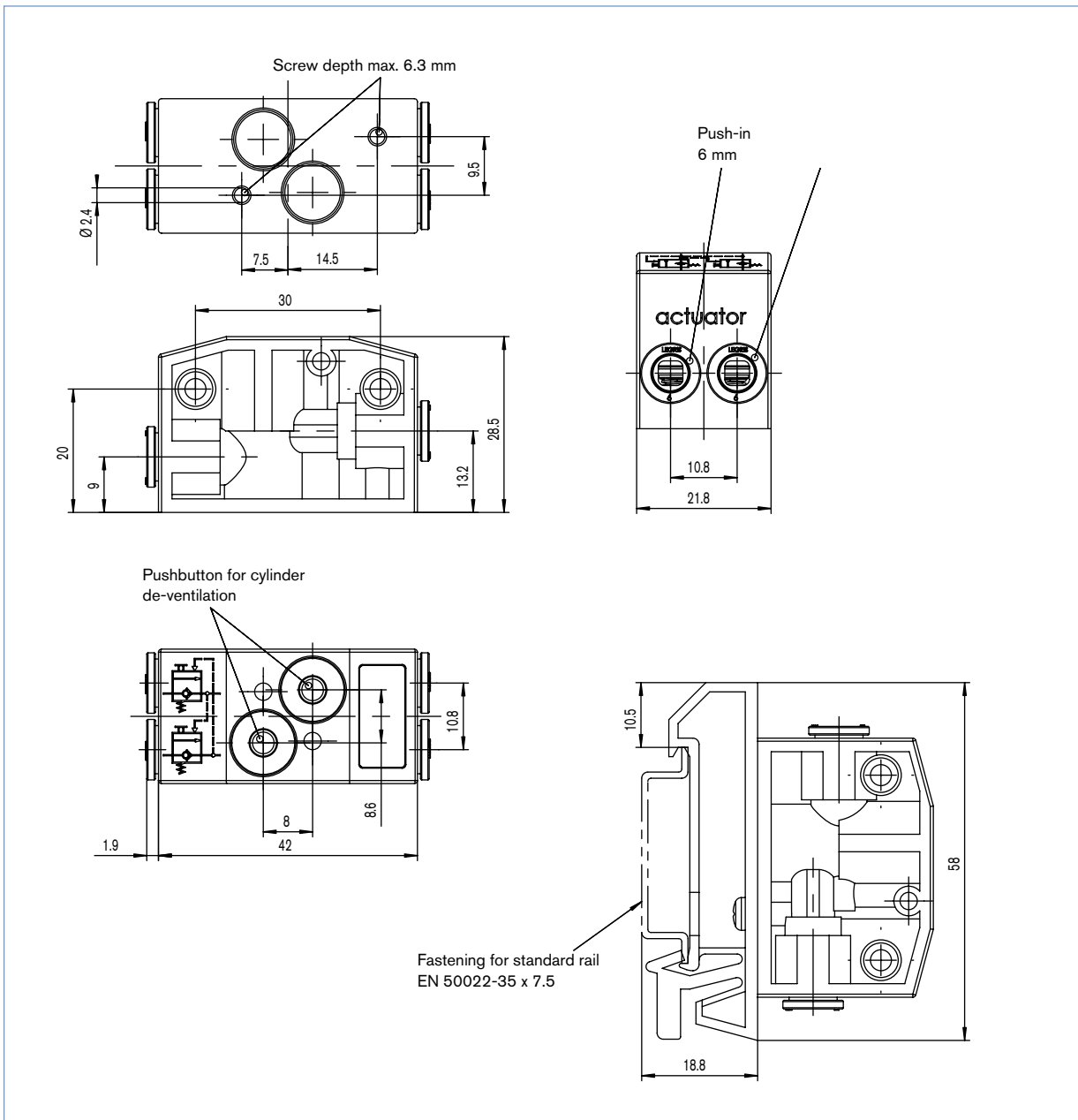
Orifice	DN 4.0
Material	PA (polyamide)
Seal material	NBR
Media	compressed air oiled, oil-free, dry, neutral gases (5 µm filter recommended)
Media temperature	-10 to +50°C
Ambient temperature	-10 to +55°C
Manual override	Standard
Pneumatic output	Push-in 6mm
Weight	33g (45g with mounting base)
Mounting	Circuit installation or optionally with mounting base
Installation	As required

Flow-rate Q _{Nn} -value air [l/min]	measured at +20°C, 6 bar pressure at valve inlet and 1 bar pressure difference
Pressure values [bar]	gauge pressures with respect to the prevailing atmospheric pressure
Response times [ms]	measured according to ISO 12238

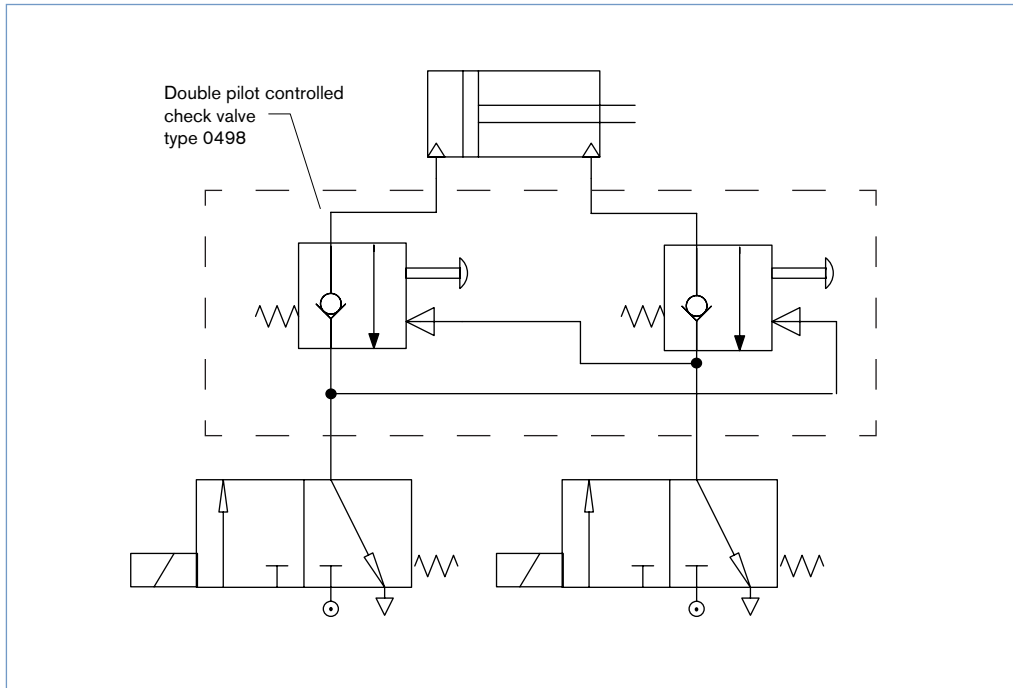
Ordering chart

Version	Orifice [mm]	Port connection	Pressure range [bar]	Flow-rate [l/min]	Item no.
without mounting base	4	push-in 6 mm	2-10	300	167 126
with mounting base	4	push-in 6 mm	2-10	300	167 127

Dimensions [mm]



Function demonstration



To find your nearest Bürkert facility, click on the orange box →

www.burkert.com